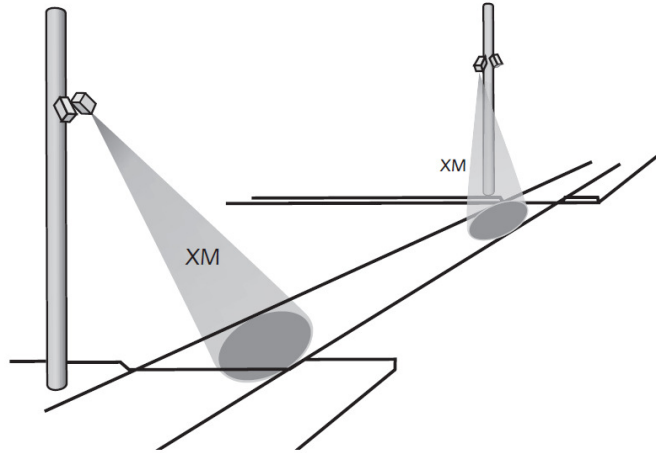
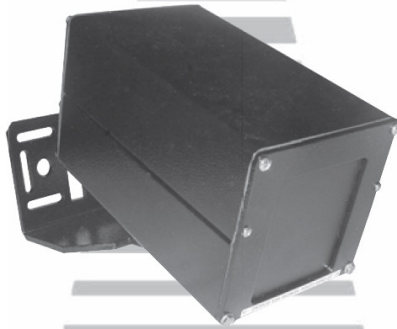


# SmartWalk™ XM

## Pedestrian Motion Sensor

### for Crosswalk Occupancy Detection



- MICROWAVE MOTION SENSOR
- DETECTS CROSSWALK OCCUPANCY
- UNAFFECTED BY TEMPERATURE, HUMIDITY, COLOR OR BACKGROUND NOISE VARIATIONS
- INSTALLS AND ALIGNS IN MINUTES
- IDEAL IN SOLAR APPLICATIONS

FCC APPROVED  
US PATENT NO. 5,903,217



The new SmartWalk XM is part of MS SEDCO's Automated Pedestrian Protection System.

The new SmartWalk XM is equipped with redesigned electronics that combine advances to our microwave technology with next generation software. This new design improves the SmartWalk XM's ability to monitor the end of a crosswalk cycle and allow for the extension of the "DON'T WALK" time while a pedestrian is still in the curbside lane of the crosswalk. It accomplishes this by providing an output that can be wired into the crosswalk timing control. When the timing sequence is about to end, if the SmartWalk XM detects someone in the targeted crosswalk area, it can enable the control timer to extend the "DON'T WALK" time, giving those pedestrians additional time to safely exit the crosswalk.

The new SmartWalk XM can be also be used to improve safety at trail crossings where the warning lights only flash when a trail user is present. Once the warning lights have been activated and the timed flashing cycle begins, the Smartwalk XM can monitor the end of the flashing cycle and allow for the warning lights to continue flashing while a pedestrian is still in it's the targeted area near the roadside. The SmartWalk XM can also be used in tandem with the Smartwalk XP for early activation of the warning lights up to 60 feet from the roadside while the SmartWalk XP provides presence detection at the roadside.

The new Smartwalk XM can be used as a standalone device or in combination with the new SmartWalk XP to complete the MS SEDCO Automated Pedestrian Protection System. This system, the only of its kind, provides increased pedestrian safety by activating the crosswalk signal (XP) and detecting pedestrians in the crosswalk area (XM) with no special action required by the pedestrian!

#### SPECIFICATIONS

Model Number.....	SmartWalk XM
Operating Frequency.....	24.125 GHz (K-band)
Detection Method.....	Microprocessor analyzed Doppler microwave
Detection Pattern.....	Adjustable with cover off
Detection Angle.....	Adjustable
Detection Mode.....	Selectable: approach-only, depart-only or bidirectional motion
Call Extension Time.....	0.1 to 5 seconds
Power Requirements.....	12 to 24 V AC or DC ± 10%
Power Consumption.....	1W maximum
Relay Output.....	Form C, rated at 1 Amp @ 24V DC (N.O. and N.C.)
Output Power.....	5mW typical, 2mW minimum
Relay Contact Ratings.....	0.5A:50V AC—1A:24V DC
Operating Temperature.....	-22 ° F to 158 ° F (-30 ° C to 70 ° C)
Physical Dimensions.....	4"W x 4"H x 7"L
Enclosure.....	Powder coated aluminum
Weight.....	4 lbs.

82006



980 QUAKER HIGHWAY ( 146A ) ■ UXBRIDGE, MA 01569  
(ph) 508-278-0446 ■ (fx) 508-278-0447  
WWW.MARLIN-CONTROLS.COM