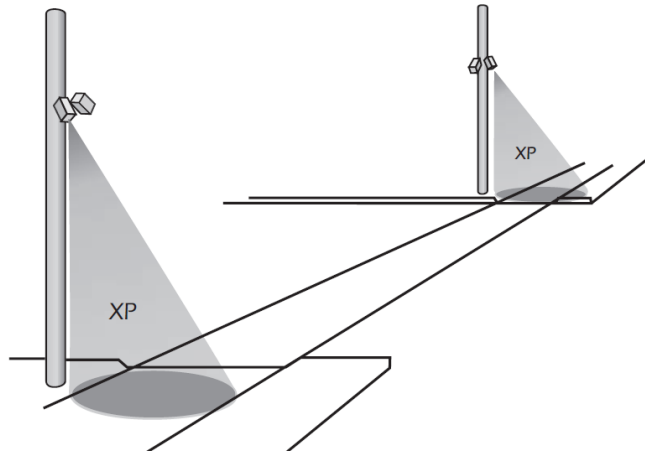


SmartWalk™ XP

Pedestrian Presence Sensor

for Activation of Pedestrian Signals



The new SmartWalk XP is part of MS SEDCO's Automated Pedestrian Protection System. This microwave pedestrian presence sensor is designed for curbside, hands free activation of pedestrian signals.

The new SmartWalk XP is equipped with redesigned electronics and the latest advances to our patented microwave technology making it capable of providing pedestrian presence detection in the targeted curbside area while ignoring stationary vehicles. The next generation software has also been improved to avoid false activations from nearby moving vehicular traffic or pedestrians not intending to use the crosswalk.

The new SmartWalk XP is also ideal for activating warning lights at trail crossings, allowing them to only flash when a pedestrian on the trail approaches the crossing. This increases the effectiveness of the warning lights since they are only activated when a pedestrian is present. This also makes the SmartWalk XP perfect for solar applications.

The new SmartWalk XP can be used as a standalone device or in combination with the new SmartWalk XM, to complete the MS SEDCO Automated Pedestrian Protection System. This system, the only of its kind, provides increased pedestrian safety by activating the crosswalk signal (XP) and detecting pedestrians in the crosswalk area (XM) with no specific action required by the pedestrian!

■ MICROWAVE PRESENCE SENSOR

■ DETECTS PEDESTRIANS STANDING CURBSIDE

■ UNAFFECTED BY TEMPERATURE, HUMIDITY, COLOR OR BACKGROUND NOISE VARIATIONS

■ INSTALLS AND ALIGNS IN MINUTES

■ IDEAL IN SOLAR APPLICATIONS

FCC APPROVED
US PATENT NO. 5,903,217



SENSORS & SWITCHES

SPECIFICATIONS

Model Number.....	SmartWalk XP
Operating Frequency.....	24.125 GHz (K-band)
Detection Method.....	Microprocessor analyzed Doppler microwave with MICROMOTION technology
Detection Pattern.....	Adjustable with cover off
Detection Angle.....	Adjustable
Detection Mode.....	Selectable: approach-only, depart-only or bidirectional motion
Detection Verification Time.....	0.1 to 5 seconds
Power Requirements.....	12 to 24 V AC or DC ± 10%
Power Consumption.....	1W maximum
Relay Output.....	Form C, rated at 1 Amp @ 24V DC (N.O. and N.C.)
Output Power.....	5mW typical, 2mW minimum
Relay Contact Ratings.....	0.5A:50V AC—1A:24V DC
Operating Temperature.....	-22° F to 158° F (-30° C to 70° C)
Physical Dimensions.....	4"W x 4"H x 7"L
Enclosure.....	Powder coated aluminum
Weight.....	4 lbs.



980 QUAKER HIGHWAY (146A) ■ UXBRIDGE, MA 01569
(ph) 508-278-0446 ■ (fx) 508-278-0447
WWW.MARLIN-CONTROLS.COM